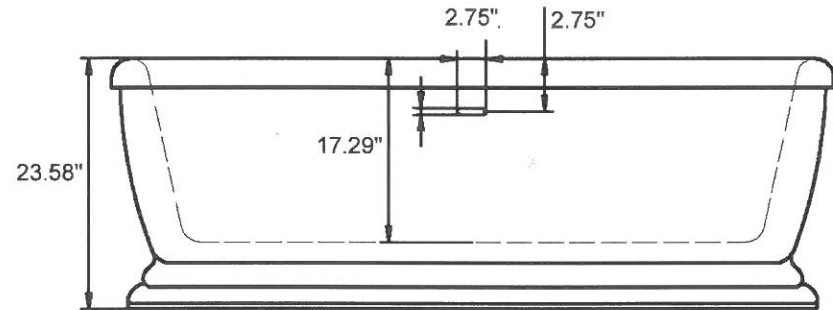
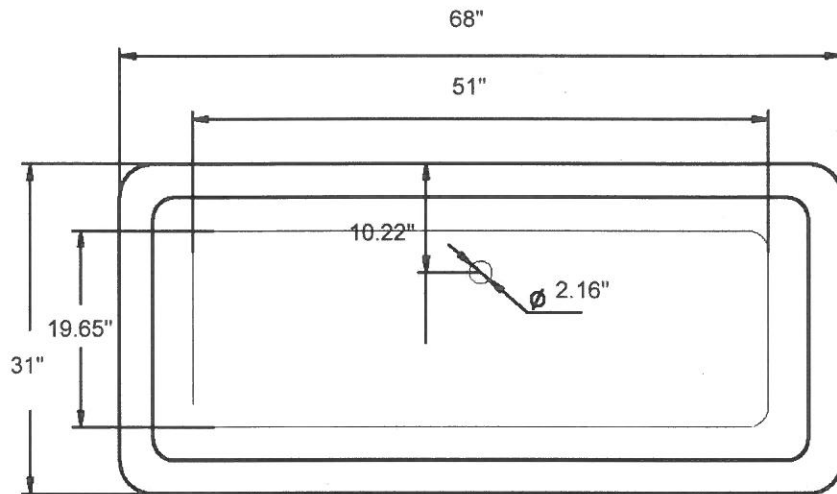


New Yorker



Certifications:



IMPORTANT:

- Drain is included with tub.
- You cannot mount faucet on the deck or inside tub. This tub is made for a freestanding over-the-rim application only.

Overall Specifications: 68"L x 31"W x 23.58"

Approximate Weight: 150 lbs

Material: High polished interior / exterior acrylic with reinforced fibreglass

All measurements are approximate and may change without notice. We will not be responsible for faulty or improper installation. We strongly recommend having product onsite before installing and hard plumbing or drilling any holes.